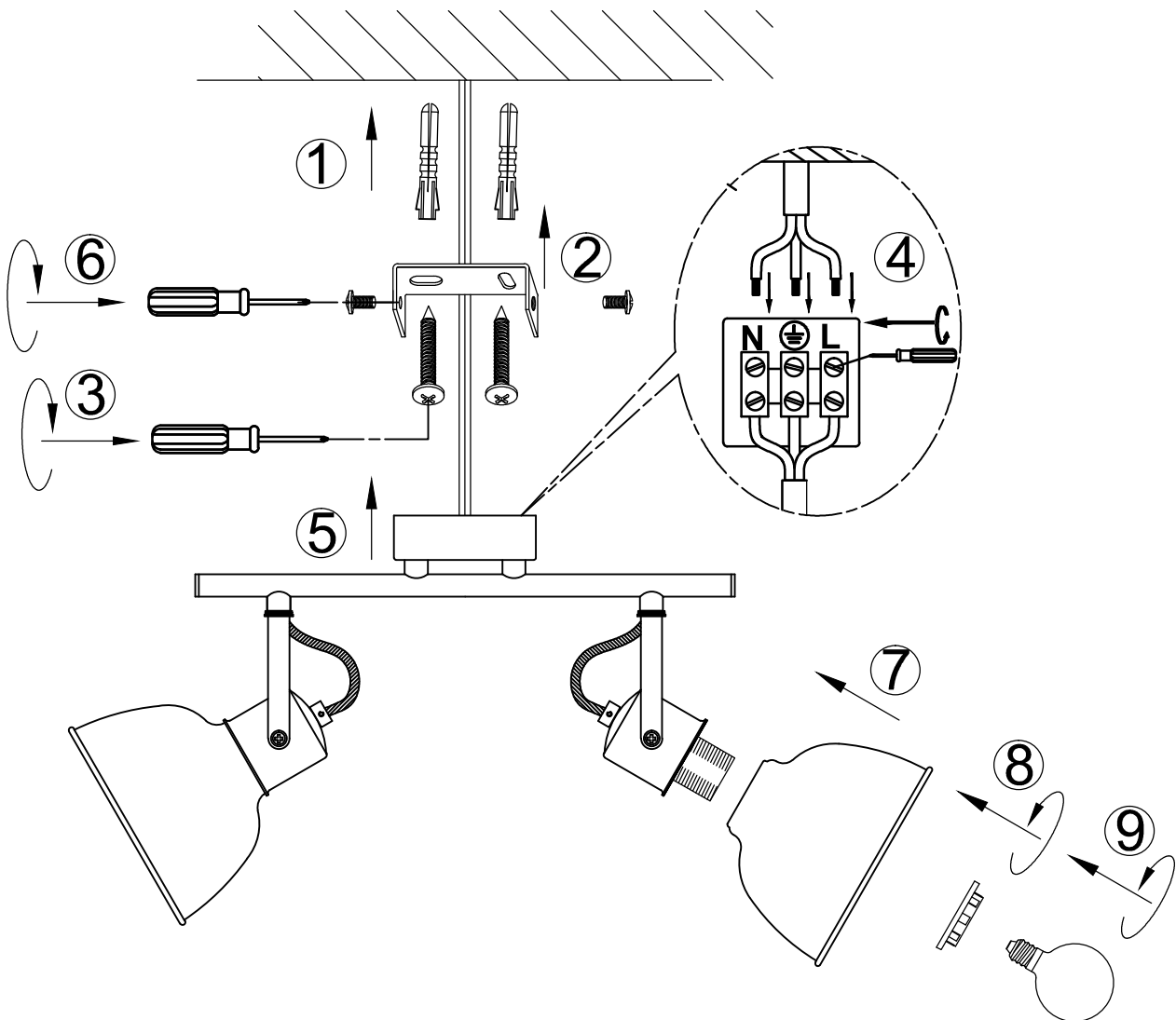


**GLOBO**  
 LIGHTING  
[www.globo-lighting.com](http://www.globo-lighting.com)

**B**

54640-2

54641-2



GLOBO Handels GmbH  
 St. Peter 38  
 A-9184 St. Jakob / Rosental

